

NOTES:

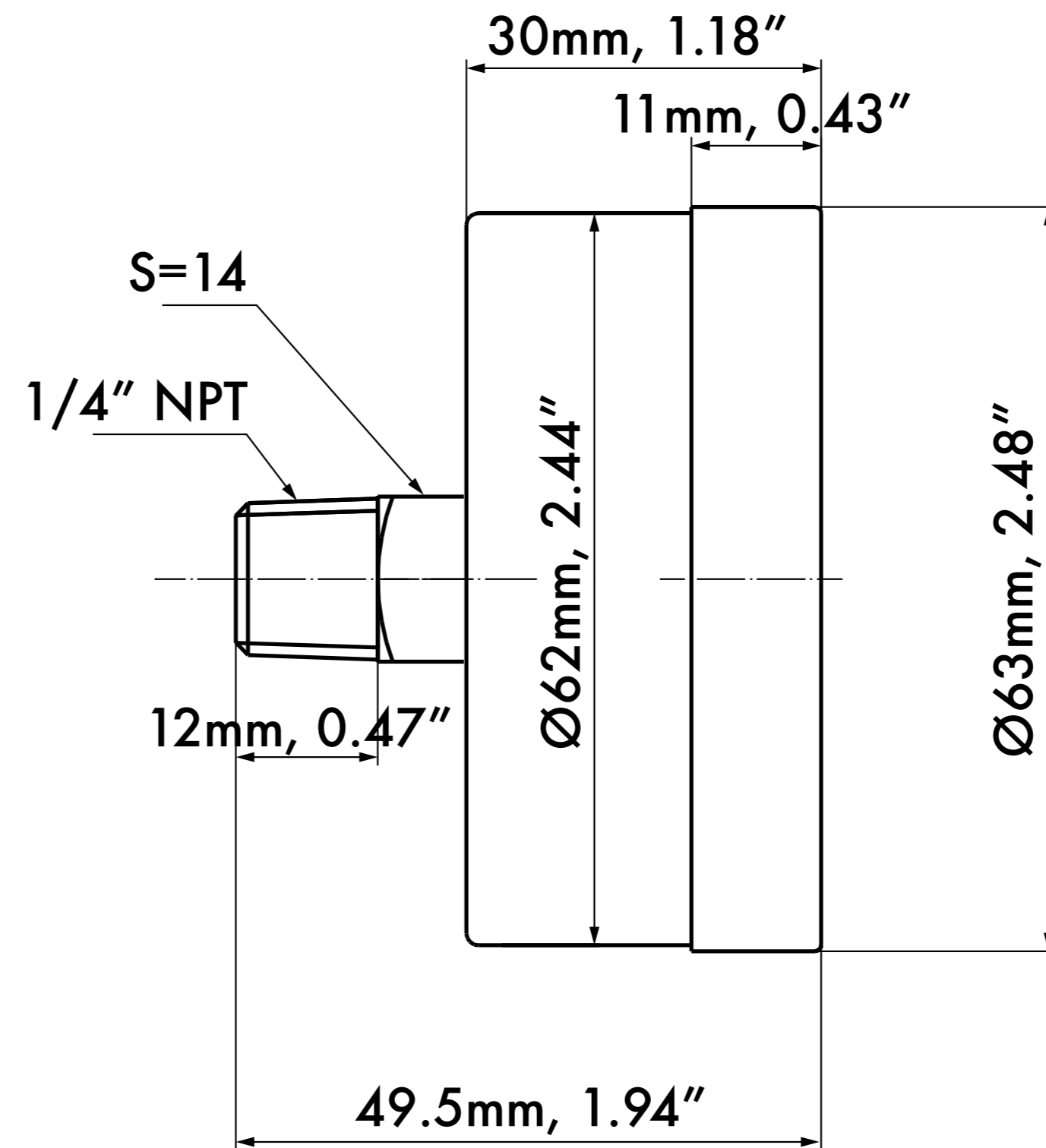
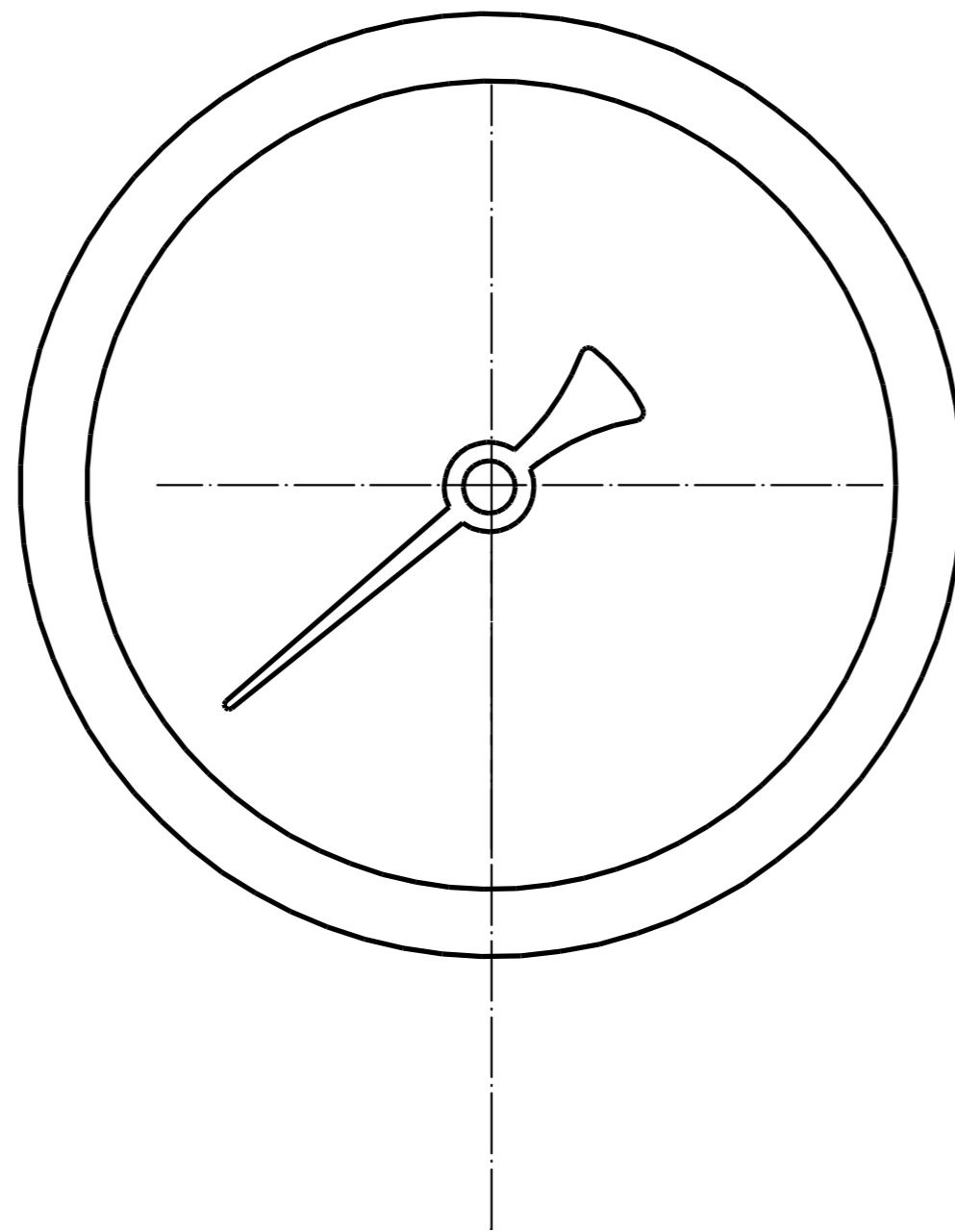
Steel case and ring

PC lens

Low-lead SWDA compliant brass

1.5% full scale accuracy

REVISIONS			
REV	DESCRIPTION	DATE	APPROVAL



BY OR APPROVED	DATE	THIRD ANGLE PROJECTION
CHECKED:		
APPROVED: <i>B. Taylor</i>	05/25/26	



TITLE:
2.5" Dial (63mm) PG Series Back Connection Gauge