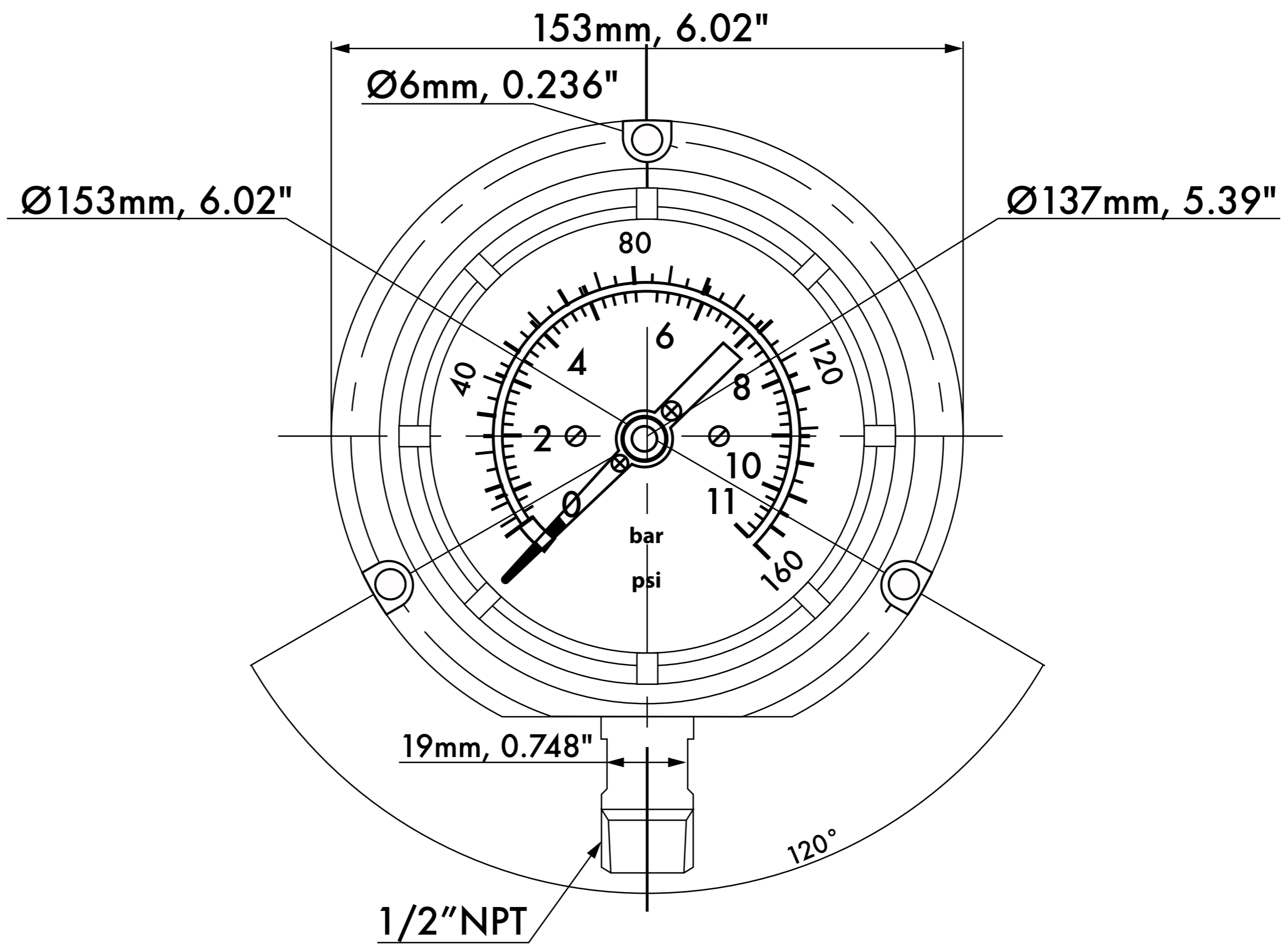
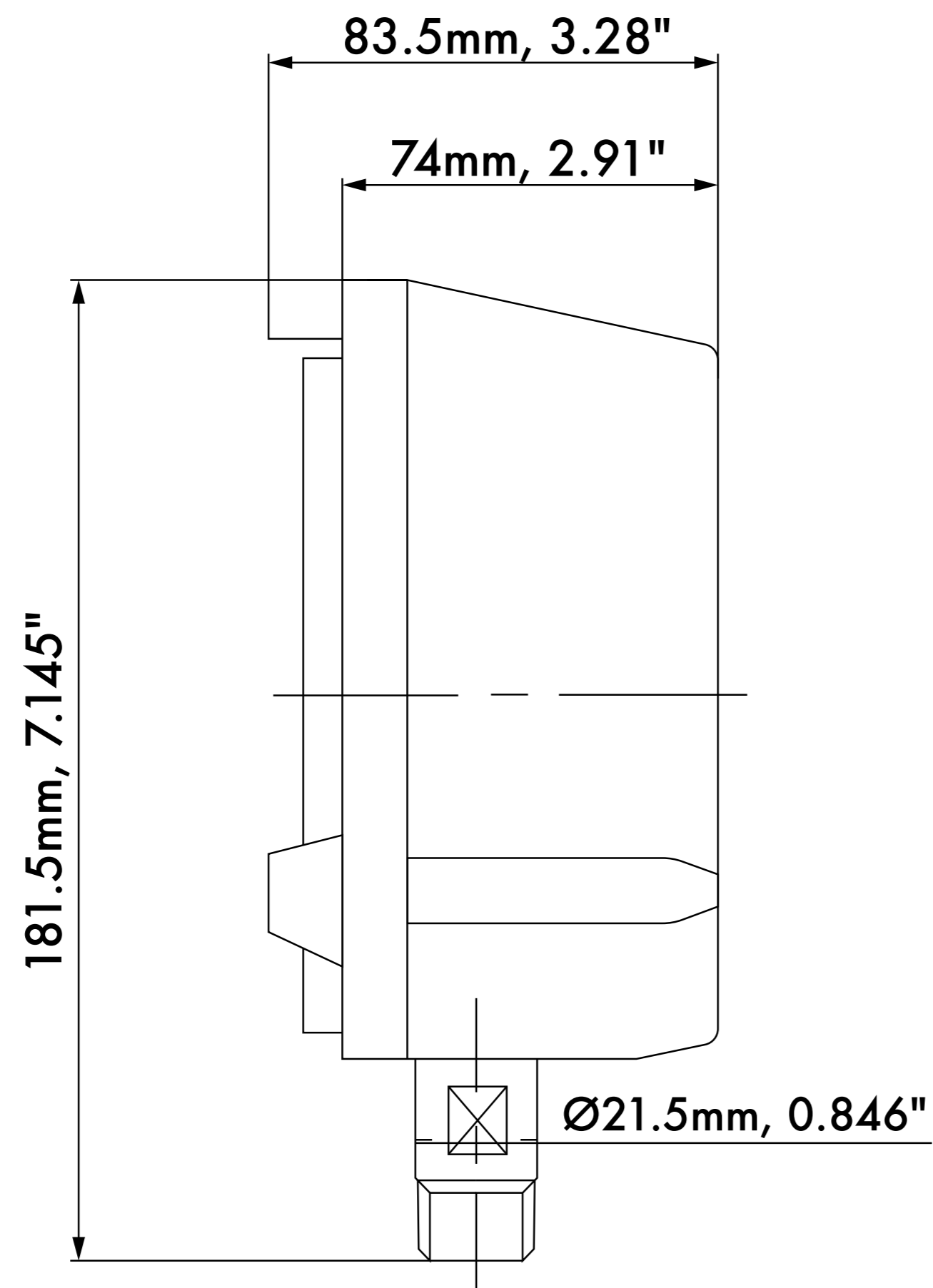


NOTES:

Phenolic solid-front safety case.
 +/-0.5% full scale accuracy ASME B40.1 Grade 2A
 IP65 rating

REVISIONS			
REV	DESCRIPTION	DATE	APPROVAL



BY OR APPROVED	DATE	THIRD ANGLE PROJECTION
CHECKED:		
APPROVED: <i>B. Taylor</i>	05/18/26	



TITLE:	PPS Series Process Gauge
--------	--------------------------