

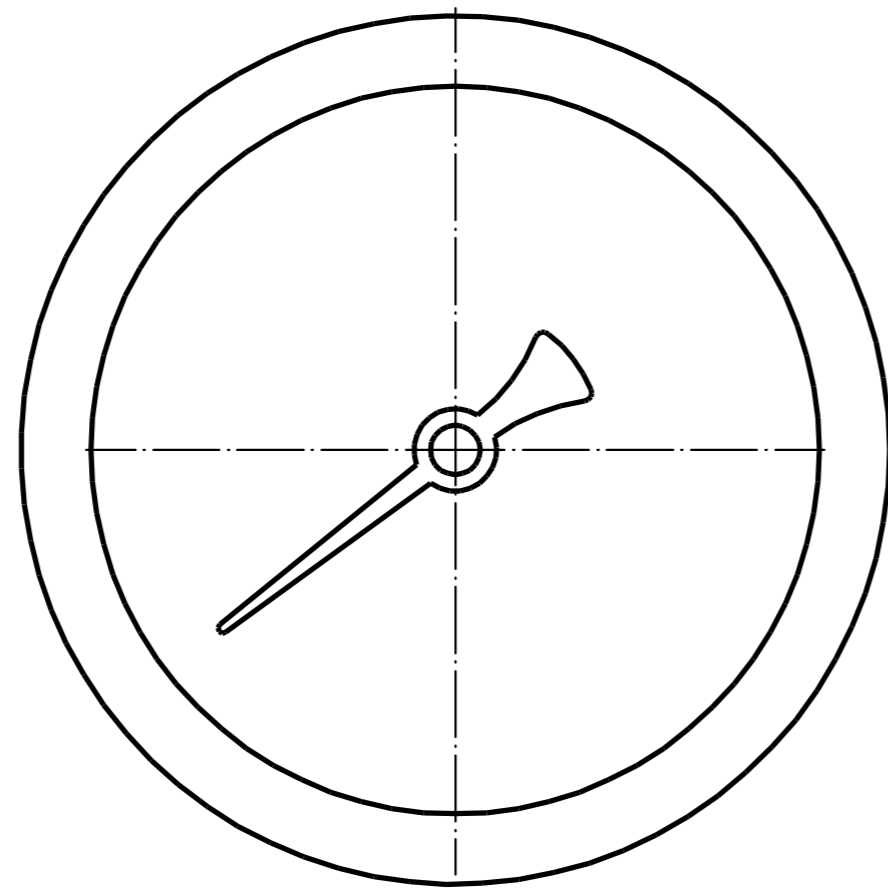
NOTES:

Steel case and ring

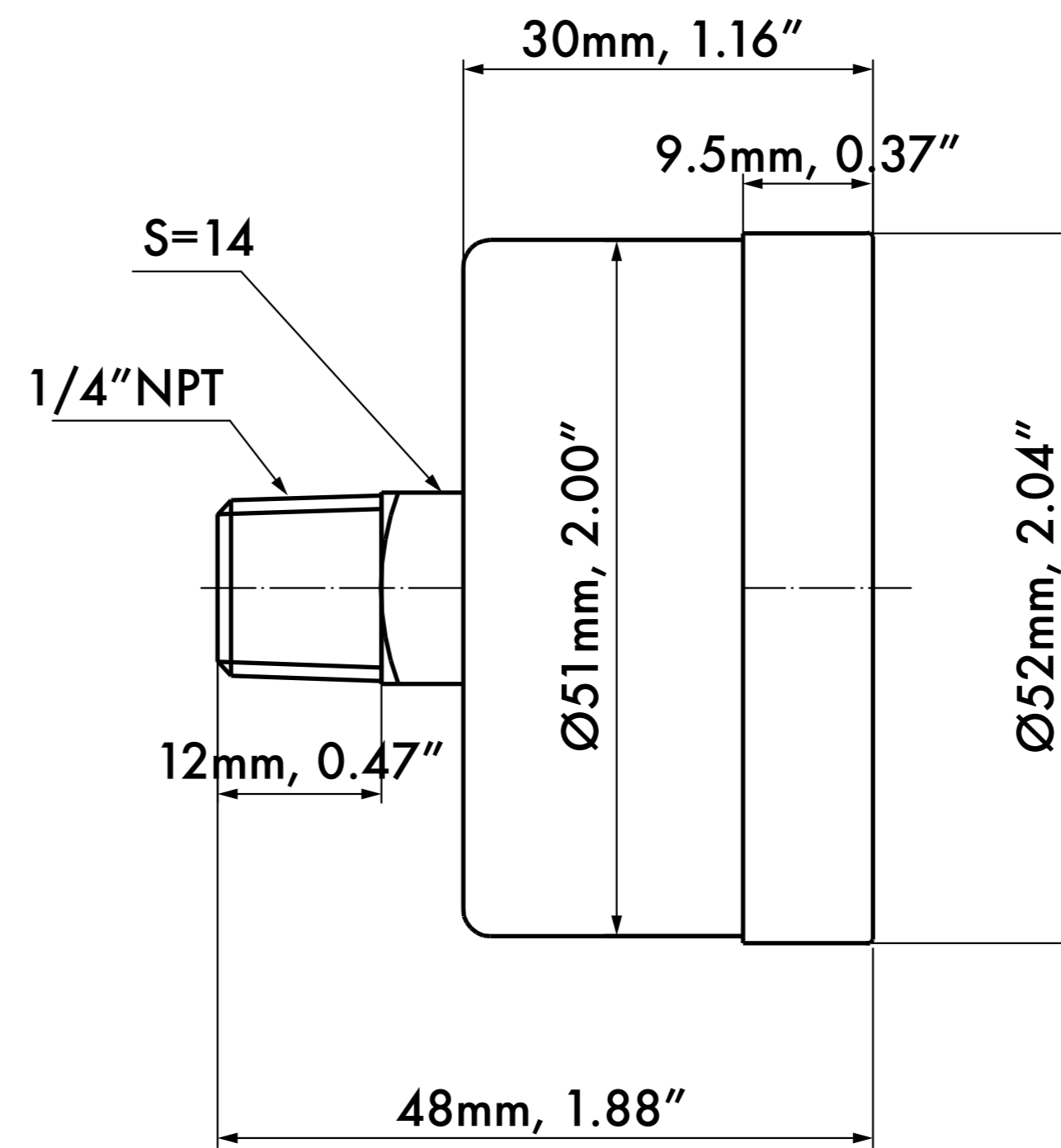
PC lens

Low-lead SWDA compliant brass

3%-2%-3% accuracy



REVISIONS			
REV	DESCRIPTION	DATE	APPROVAL



BY OR APPROVED	DATE	THIRD ANGLE PROJECTION
CHECKED:		
APPROVED: <i>B. Taylor</i>	05/25/26	



TITLE:
2" Dial (52mm) PG Series Back Connection Gauge