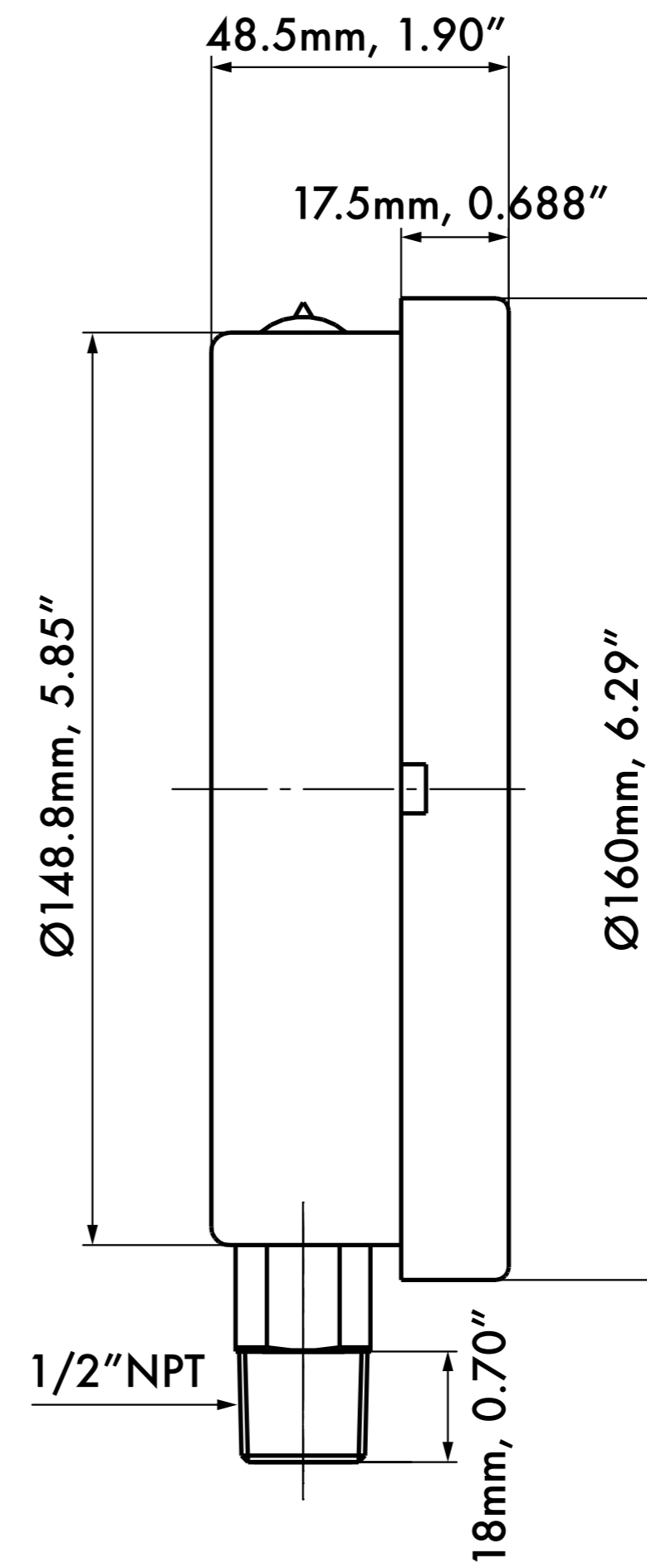
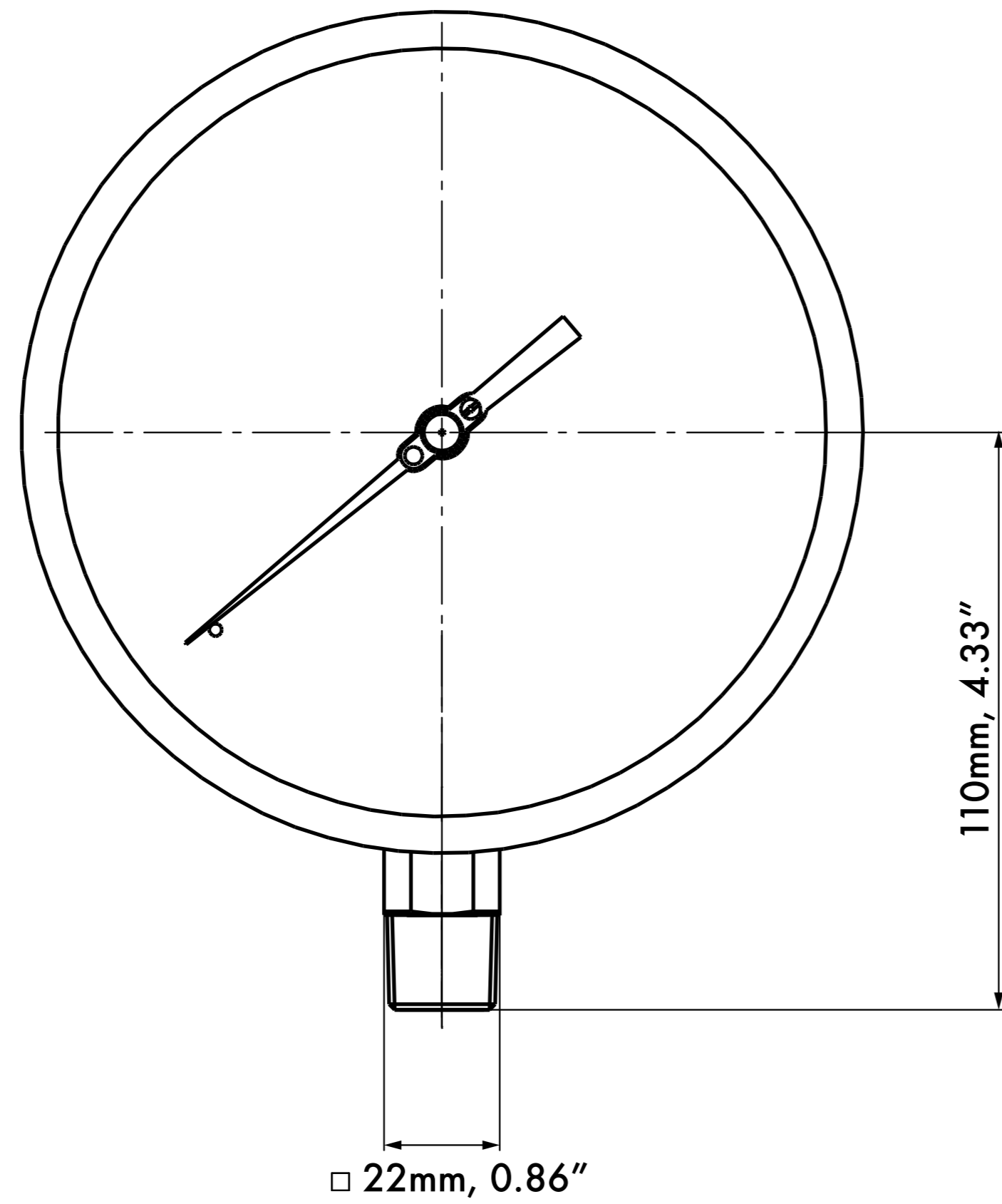


**NOTES:**

- 304 SS case and ring
- 316 SS internals or Brass internals as ordered
- Shock-X™ movement
- PC lens

REVISIONS			
REV	DESCRIPTION	DATE	APPROVAL



BY OR APPROVED	DATE	THIRD ANGLE PROJECTION
CHECKED:		
APPROVED: <i>B. Taylor</i>	05/19/26	



TITLE: PSX Shock-X 6" Dial Bottom Connection